

Eco-Mini Series

Semi-Automatic Pellet Boiler



“An Affordable Pellet Boiler”

Eco-Mini Series provides high-efficiency combustion due to their vertically designed pipes and turbulators. With reliable structure and special boiler steel, guarantees you a long physical life for many years.

The compact structure of Eco Mini Series is designed extremely flexible and easy to install. Due to this feature, it can fit into the smallest basements and access through narrow gates. Such a qualified pellet boiler with these features had never been this pocket-friendly. The thing which makes Eco-Mini Series special is its dimensions. The dimensions of boilers are reduced by 30% compared to their equivalents without conceding efficiency and capacity. As the dimensions reduced, the prices reduced as well.

How is this possible? The key part is in the correct adjustment of the flame and smoke passages inside the boiler. The flames are reversed after they are generated and forced to pass through newly generated flames leading to a re-burn which is a double transition.

Eco mini models come with variety of storage tank options, up to 2.400kg capacities which are assembled on the site.



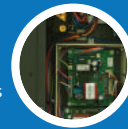
Full Automatic ECM

Features



Back Burn Control

Since Eco-Mini Series operates under negative pressure, fire back burn is prevented. In addition, safety thermostat that constantly controls the boiler water temperature prevents the boiler from reaching high temperatures.



Advanced Control System

An advanced central control system regulates the system constantly with the data provided by sensors.



Compact Burner Unit

Easily dismantlable burner unit provides service friendly maintenance as well as accessibility.



Modulated Air Fan

Eco-Mini Series boilers are equipped with high capacity, modulated flue gas vacuum fans. Precise control of the boiler at the desired capacity is provided with the infinitely variable.



Advanced Combustion System

With Eco-Mini burners, up to 92% efficiency is obtained. Ignition element is a low power unit which decreases the electric consumption and also has a longer service life.



Digital Control Panel

Digital control panel which is Europe's most preferred is used. With user friendly screen, possible to boiler start and stop at desired times.



Mechanical Turbulator Cleaning System

By using a cleaning arm which is on the side of the boiler, possible to clean tubes without opening any door. This design helps to clean easily and prevent blockage.



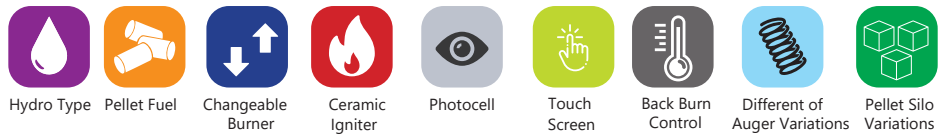
Automated Burner Cleaning System

Eco-Mini boiler's burner has a unique and patented cleaning system that effectively cleans the combustion chamber and discharges all the ashes periodically.



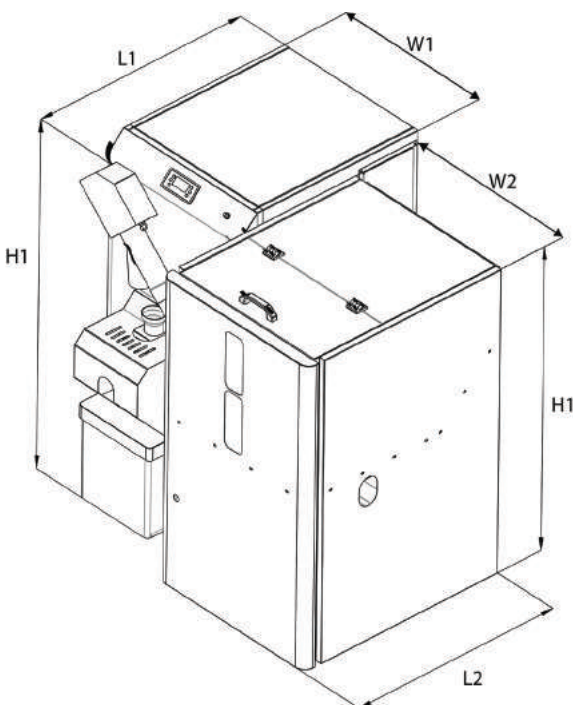
Pellet Silo Variations

Different sizes of fuel silos designed for different boiler capacities. Silos are sent disassembled for ease of transportation and easily installed. Silos offer installation possibility on both sides.



Technical Specifications

TECHNICAL SPECIFICATION of ECO-MINI		Unit	Boiler Type				
			Eco Mini-12	Eco Mini-23	Eco Mini-40	Eco Mini-60	
CAPACITY	Nominal-Minimum Heat Output	kW	12 - 3,6	23 - 6,9	40 - 12	60 - 18	
		kcal/h	10.320 - 3.096	1.9780 - .5934	34.400 - 10.320	51.600 - 15.480	
OPERATING CONDITIONS	Safety Limit Temperature	°C	95				
	Max. Operating Temperature	°C	80				
	Min. Water Return Temperature	°C	55				
	Operating & Test Pressure	bar	3 - 4,5				
	Electrical Connection	-	230 Vac , 50 Hz				
	Recommended Fuel Types	-	Ø6 mm Premium Quality Pellet, EN Plus A1				
MAIN DIMENSIONS	Cabin Width & Depth, W1 , L1	mm	515 - 655	595 - 790	595 - 845	700 - 990	
	Height, H1	mm	1160	1160	1360	1360	
	Total Boiler Depth ± 2, Lt	mm	1070	1200	1280	1460	
	Stack Size, (ØD1 Outer-Inner Diameter)	mm	130-125	130-125	150-146	150-146	
	Height of Stack Connection, H2	mm	745	700	860	860	
	Water Content	lt	25	50	75	110	
	Empty & Gross Weight	kg	150 - 170	190 - 215	240 - 270	290 - 330	
	Wooden Case Freight Dimensions, (W x H x D)	mm	615 x 1340 x 1100	715 x 1340 x 1230	715 x 1540 x 1310	820 x 1540 x 1490	
	Filling & Drain Connections	Diameter, ØD2	inch	½"			
	Hot Water Outlet Connections	Diameter, ØD3	inch	1", Male		1½", Male	
		Position & Height, L3, H3	mm	210 - 1028	250 - 1020	250 - 1225	303 - 1228
Water Inlet Connections	Diameter, ØD4	inch	1", Male		1 ¼", Male		
	Position, H4	mm	152	350		355	
FUEL & STORAGE	Standart Fuel Storage Volume	lt	300		500		
	Width & Depth W2, L2	mm	650 - 850		800 - 900		
	Empty Weight	kg	35		45		



Highlights on the Features of Eco-Mini:

- Automatic ignition,
- Mechanical tube cleaning system,
- Automatic cleaning of burner grates,
- Automatic pellet-air ratio control (automatic adjustment of pellet dosage),
- User friendly digital display,
- Optimum combustion performance with superior control software,
- High efficiency with modulated air-fuel control,
- Easy service & maintenance design,
- Flexible installation (can be used easily with the closed expansion tank),
- External and different options fuel silo.
- Complies with Eco design criteria.

