

Stella Series

Standalone Pellet Burners

“Stands firm on its own.”

Standalone pellet burners, Stella Series burners are efficient, enduring and adaptable products for every environment. Stella Series is designed for the customers who want to change fuel type for more environment friendly and economical solution especially.

Stella burners, often are the ideal solution for bakeries, pizza houses, larger central system boilers and field hot air generators.



Features



New Compact Design
Stella is equipped by a strong casing to withstand every environment.



Forced Air Fan
Stella has a special integrated air fan which provides airflow to operation.



Advanced Control Panel
All Stella are equipped by advanced control panels in order to provide maximum fuel efficiency. Software is especially tailored for Stella.



Efficient Burning
Stella has a special grate design which provides problem-free and efficient combustion under all conditions.



Pellet Fuel



Ceramic Igniter



Photocell



Back Burn Control



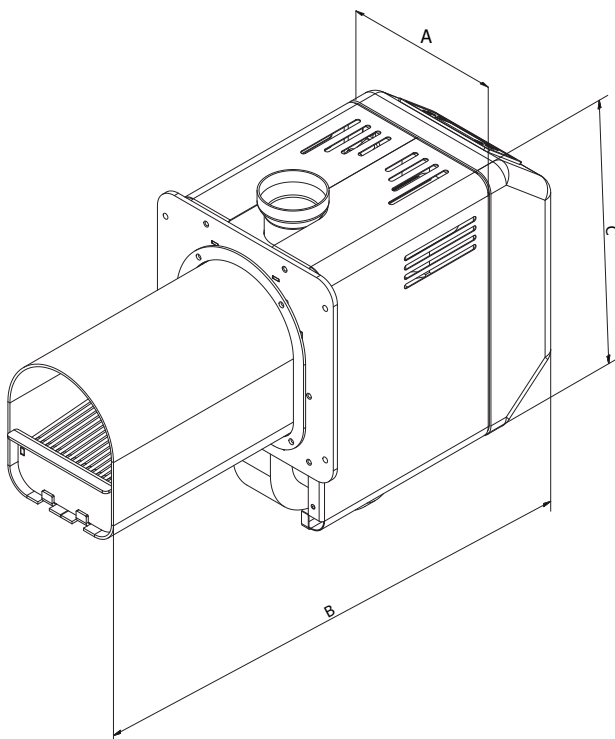
Different of Auger Variations



Pellet Silo Variations

Technical Specifications

TECHNICAL SPECIFICATION of STELLA		Unit	Burner Type		
			ST25	ST50	ST80
CAPACITY	Nominal-Minimum Heat Output	kW	25 - 7,5	50 - 15	80 - 24
		kcal/h	21.500 - 6.450	43.000 - 12.900	68.800 - 20.640
OPERATING CONDITIONS	Safety Limit Temperature	°C	95		
	Max. Operating Temperature	°C	80		
	Min. Water Return Temperature	°C	55		
	Electrical Connection	-	230 Vac ±10% , 50 Hz, 5A Fuse		
	Fuel Type	-	Ø6 mm Premium Quality Pellet, EN Plus A1		
	Approximate Fuel Consumption	in full& partial load	kg/h	4,6 - 1,36	9,3 - 2,74
MAIN DIMENSIONS	Width, A	mm	214		
	Length, B	mm	575	635	685
	Height, C	mm	336		
	Total Height, D	mm	419		
	Blast Tube Diameter, ØD1	mm	187		
	Blast Tube Length, L1	mm	267	273	278
	Feeding Line Diameter, ØD2	mm	75		
	Feeding Line Position, L2	mm	337	343	348
	Mounting Flange Dimensions, E x F	mm	194 x 236		
	Connecting Hole Diameters & Bolts, ØD3	mm	Ø7 x 4 pcs. - M6 x 25 Bolts		
	Weight	kg	27	32	42
	Freight Dimensions (width x depth x height)	mm	360 x 663 x 570	360 x 669 x 570	360 x 674 x 570
	Gross Freight Weight	kg	30	35	45
	ANCILLARIES	Fan Power	W	50	
Max. Pump Support		A	1 Amp.		
Feeder Motor Support		A	1 Amp.		
Igniter Type		-	200 W ceramic (max 3 Amp. support.)		
Boiler Temperature Sensor Type		-	NTC 10K		
Other Functions		-	Programable Chrono, one extra Configurable I/O (Input 0-5 V, Output 3 Amp.), Room Thermostat (optional)		



Highlights on the Features of Stella:

- Long life,
- Easy service & maintenance design,
- 2 ceramic igniters,
- High efficiency & low emissions,
- High thermal load resistant and changeable grate,
- Replaceable barrel without welding to the body,
- Periscopic hinge adapter for easy assembly and cleaning,
- Homogeneous distribution of fuel thanks to the inclined grate,
- Motorized feeding instead of free feeding,
- Back burn control,
- Optional touch screen,
- Optional chimney fan control,
- Accumulation tank control,
- Complies with Eco design criteria.

